

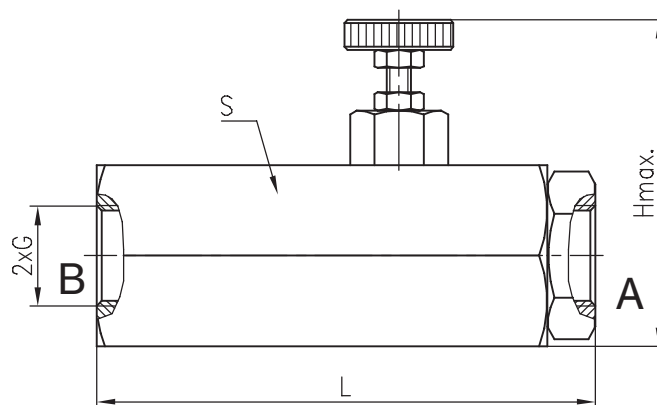
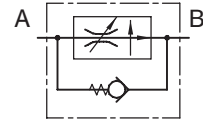


**Hidro
Pnevmo
Tehnika**

3, Vojeli St., Kazanlak, Bulgaria
Tel.: +359 431/ 62 228
Fax : +359 431/ 62 019
e-mail : info@hpt-bg.com
www.hpt-bg.com

FLOW CONTROL VALVE

RD2 ..



Type	Q _{max}	Q _{min.}	P _{max.}	L	H _{max.}	S	G
	L/min	L/min					
RD2-10	10	1	250	82.5	53.5	30	G1/4"
RD2-25	25	1,5		87	60	30	M18x1.5
RD2-40	40	1,5		118	72	36	G3/8"

All performances and calibration are carried out by using hydraulic oil with viscosity approx. 46 cSt at 50 °C .
Temperature range: -20 °C...+80 °C
Filtration absolute: 25 µm

ORDERING CODE

Type **RD2 10** Flow L/min : **10,25,40**

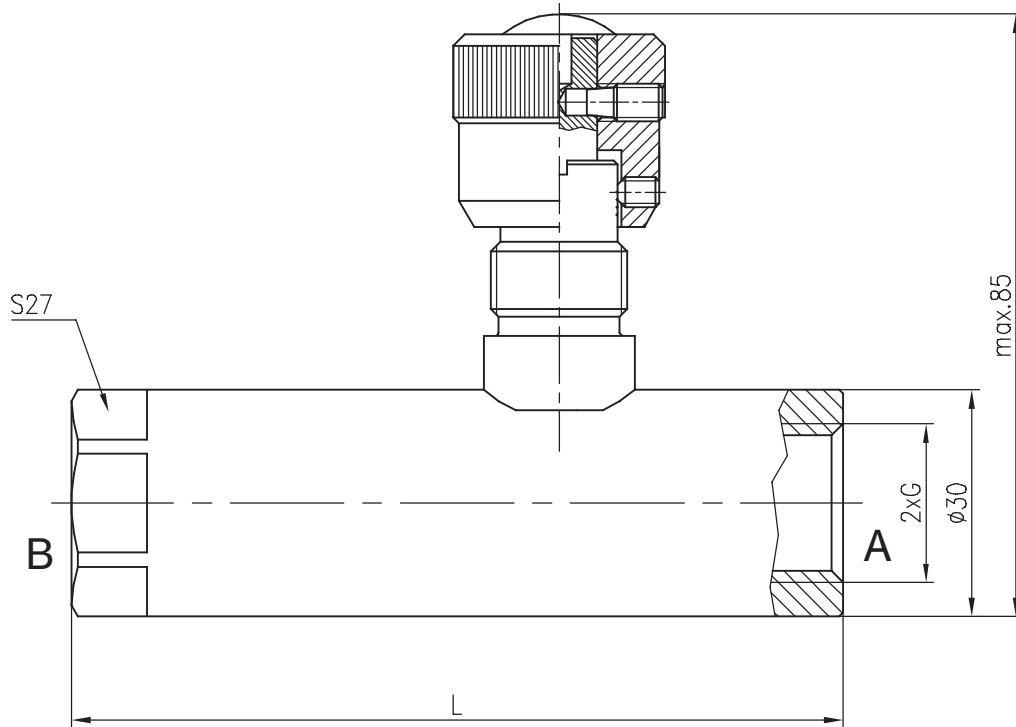
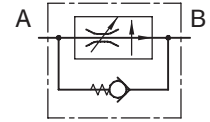
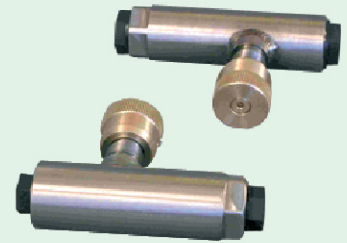


**Hidro
Pnevmo
Tehnika**

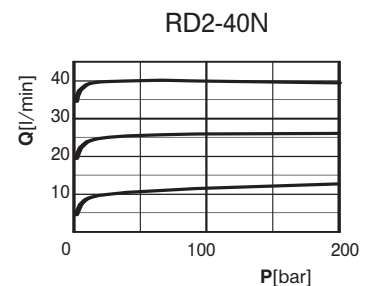
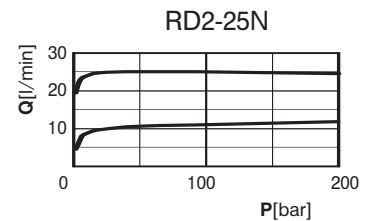
3, Vojeli St., Kazanlak, Bulgaria
 Tel.: +359 431/ 62 228
 Fax : +359 431/ 62 019
 e-mail : info@hpt-bg.com
 www.hpt-bg.com

FLOW CONTROL VALVE

RD2 - .. N

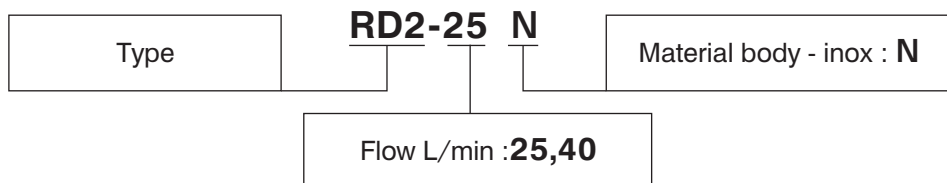


Type	Q_{max}	$Q_{min.}$	$P_{max.}$	L	G
	L/min	L/min			
RD2-25N	25	2	200	92	G3/8"
RD2-40N	40	3		102	G1/2"



All performances and calibration are carried out by using hydraulic oil with viscosity approx. 46 cSt at 50 °C .
 Temperature range: -20 °C...+80 °C.
 Filtration absolute: 25 µm

ORDERING CODE



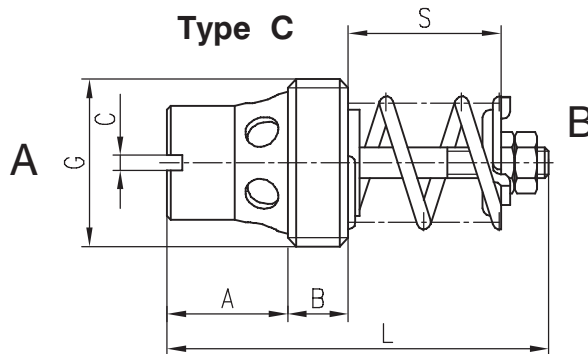


**Hidro
Pnevmo
Tehnika**

3, Vojeli St., Kazanlak, Bulgaria
Tel.: +359 431/ 62 228
Fax : +359 431/ 62 019
e-mail : info@hpt-bg.com
www.hpt-bg.com

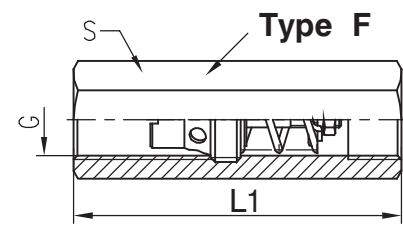
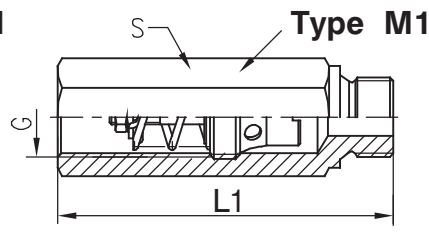
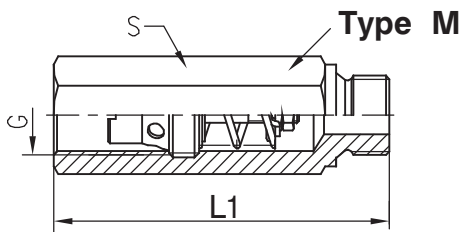
ADJUSTABLE FLOW- LIMITING VALVE

SB



Type	Flow rate variation ratio	Setting range for S mm	Working pressure range bar	L mm	A mm	B mm	C mm	G
	L/min							
SB 11 C	2,5...4	9,5...14,5	15...320	43	13,5	7	1,2	G3/8"
SB 13 C	4...6,3							
SB 15 C	6,3...10							
SB 17 C	10...16							
SB 19 C	16...25							
SB 21 C	16...21	13...18,5		49	16	8	2	G1/2"
SB 23 C	21...28							
SB 25 C	28...37							
SB 27 C	37...50							
SB 29 C	50...67							
SB 31 C	37...50	16...22	61	21	10	2,5	G3/4"	
SB 33 C	50...67							
SB 35 C	67...90							
SB 37 C	90...120							
SB 39 C	120...150							

All performances and calibration are carried out by using hydraulic oil with viscosity approx. 46 cSt at 50 °C
Temperature range: -20°C...+80°C.
Filtration absolute: 25µm



Type	G	L1	S
SB .. M(M1)	G 3/8"	82	22
SB .. M(M1)	G 1/2"	96	27
SB .. M(M1)	G 3/4"	106	36

Type	G	L1	S
SB .. F	G3/8"	70	22
SB .. F	G 1/2"	80	27
SB .. F	G 3/4"	100	36

ORDERING CODE

Type	SB 1 1 C	Type: M, M1, F, C
Threads code: 1, 2, 3 (see table)		Flow rate: 1, 3, 5, 7, 9 (see table)



**Hidro
Pnevmo
Tehnika**

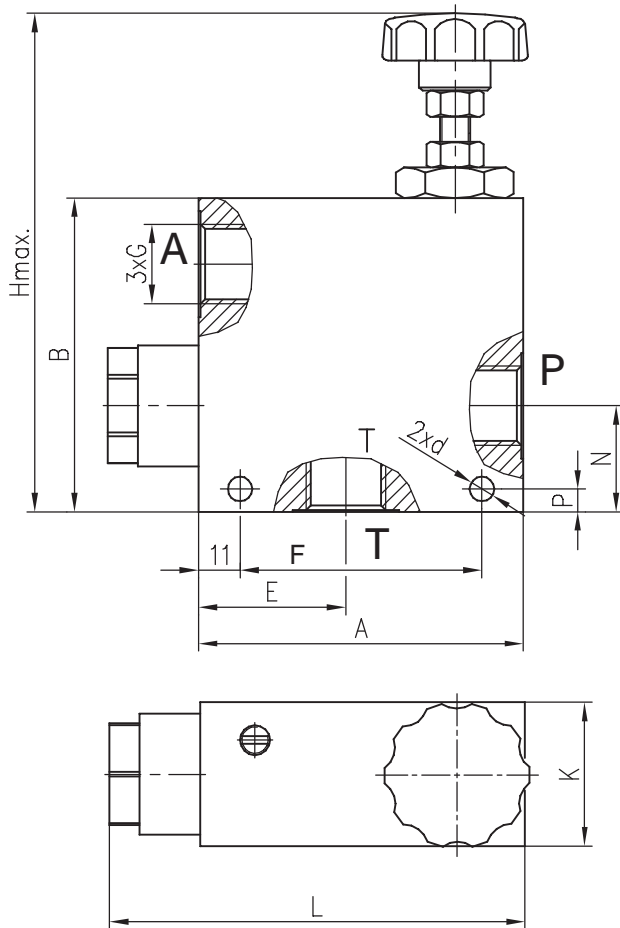
3, Vojeli St., Kazanlak, Bulgaria
Tel.: +359 431/ 62 228
Fax : +359 431/ 62 019
e-mail : info@hpt-bg.com
www.hpt-bg.com

FLOW CONTROL VALVE THREE-WAY

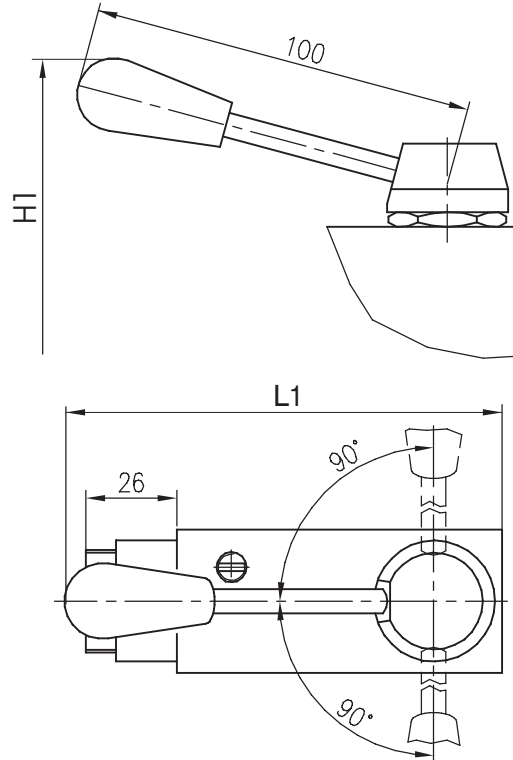
VRF C3/../. .



VRF C3/V/..



VRF C3/L/..



Type	Q _{max.} [l/min]		P _{max.} bar	G	A	B	E	F	N	P	K	H	H1	L	L1	d
	At port P	At port A														
VRF C3/.. /38	50	30	250	G 3/8"	86	83	39	64	28	6	38	120	132	112	118	6,5
VRF C3/.. /12	80	50		G 1/2"	95	110	39	75	35	7	50	147	160	121	130	8,5
VRF C3/.. /34	120	70		G 3/4"	95	110	39	75	35	7	50	147	160	121	130	8,5

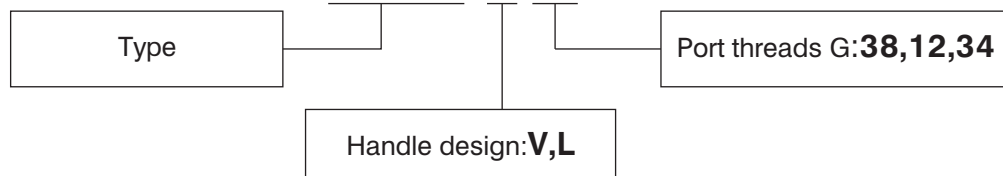
All performances and calibration are carried out by using hydraulic oil with viscosity approx. 46 cSt at 50 °C .

Temperature range: -20 °C ... +80 °C.

Filtration absolute: 25µm

ORDERING CODE

VRF C3/V/38



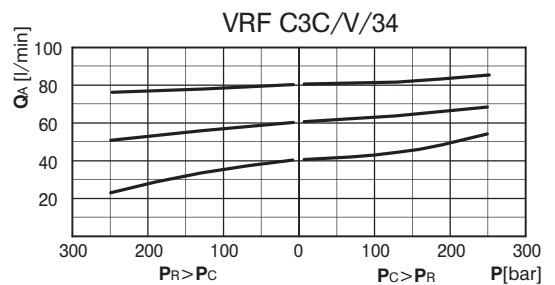
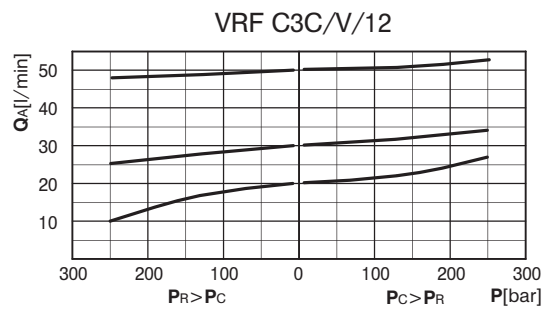
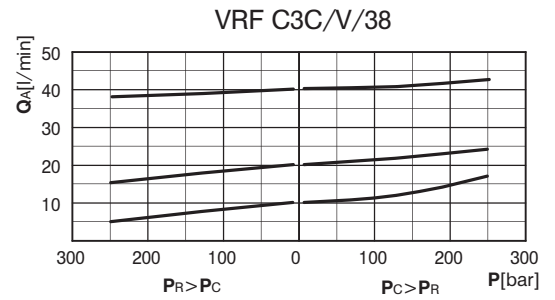
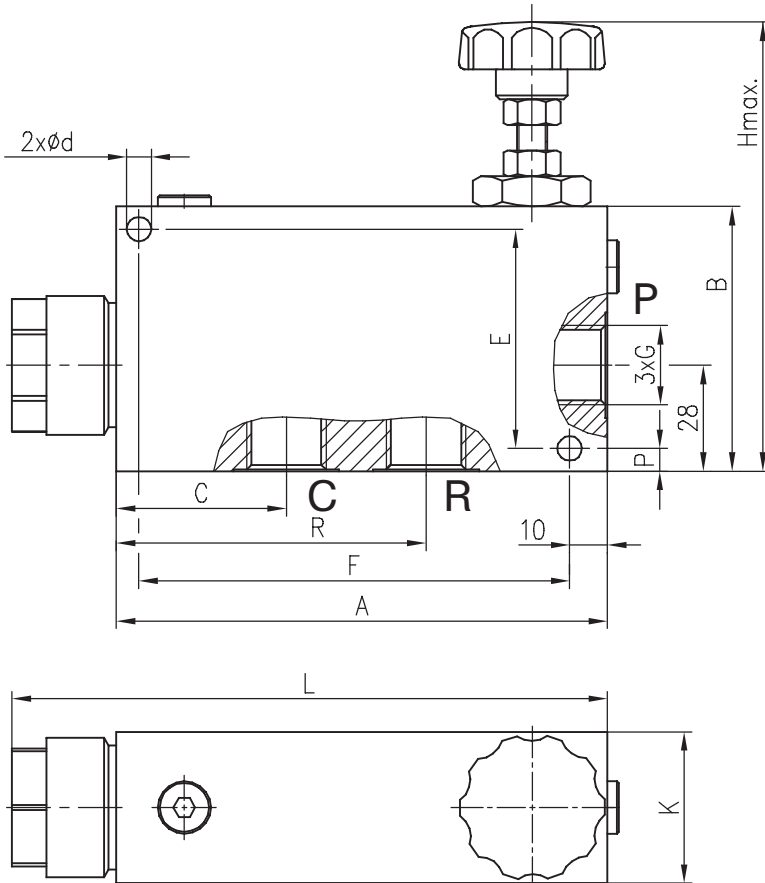
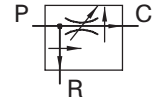
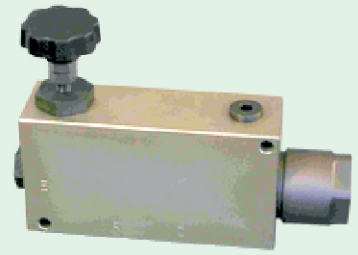


**Hidro
Pnevmo
Tehnika**

3, Vojeli St., Kazanlak, Bulgaria
Tel.: +359 431/ 62 228
Fax : +359 431/ 62 019
e-mail : info@hpt-bg.com
www.hpt-bg.com

FLOW CONTROL VALVE THREE-WAY

VRF C3C/V/..



Type	P _{max.}	Q _{max} (L/min)		G	A	B	C	E	F	P	K	R	H	L	d
	bar	At port P	At port C		mm	mm	mm	mm	mm	mm	mm	mm	mm	mm	mm
VRF C3C/V/38	250	60	40	G 3/8"	130	70	45	58	114	6	40	82	105	167	6,5
VRF C3C/V/12		90	50	G 1/2"											
VRF C3C/V/34		150	90	90	G 3/4"	155	90	57	74	135	8	50	101	191	

All performances and calibration are carried out by using hydraulic oil with viscosity approx. 46 cSt at 50 °C
Temperature range: -20 °C... +80 °C
Filtration absolute: 15 µm

ORDERING CODE

VRF C3C/V/38

Type

Port threads G: **38,12,34**

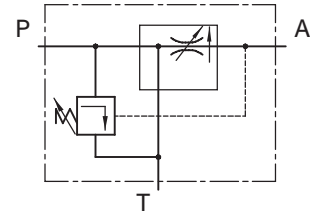
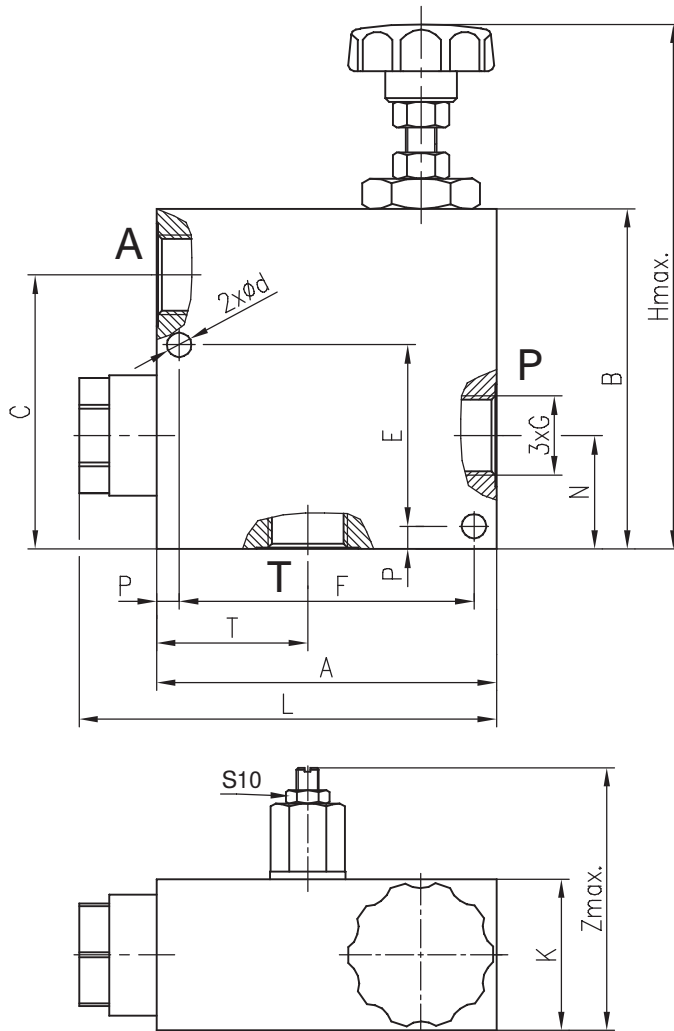


**Hidro
Pnevmo
Tehnika**

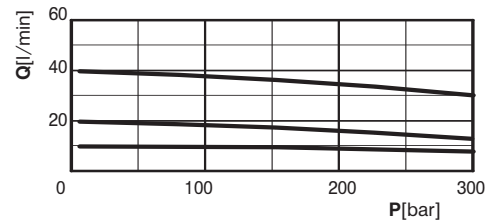
3, Vojeli St., Kazanlak, Bulgaria
Tel.: +359 431/ 62 228
Fax : +359 431/ 62 019
e-mail : info@hpt-bg.com
www.hpt-bg.com

FLOW CONTROL VALVE THREE-WAY

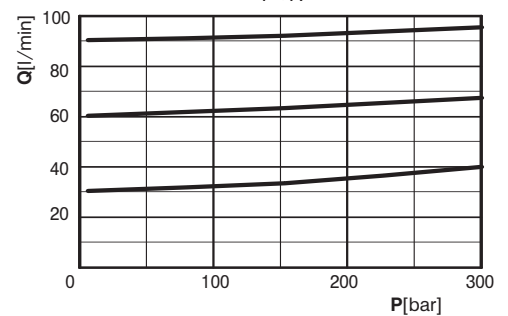
VRF C3/V/VS ..



VRF C3/V/VS38
VRF C3/V/VS12



VRF C3/V/VS34
P→A



Type	P _{max.}	Q _{max} (L/min)		G	A	C	E	F	N	P	K	H	L	d	Z	T
	bar	At port P	At port A		mm	mm	mm	mm	mm	mm	mm	mm	mm	mm	mm	mm
VRF C3/V/VS38	250	60	40	G 3/8"	90	72,5	48	78	30	6	40	129	110,5	6,5	71	40
VRF C3/V/VS12		90	50	G 1/2"												
VRF C3/V/VS34		150	90	90	G 3/4"	110	85	55,5	94	35	8	49	144	145	8,5	80

All performances and calibration are carried out by using hydraulic oil with viscosity approx. 46 cSt at 50 °C
Temperature range: -20 °C...+80 °C. Filtration absolute: 25µm
Valve setting pressure 15...20 bar over the working pressure.

ORDERING CODE

VRF C3/V/VS38

Type

Port threads G: **38,12,34**

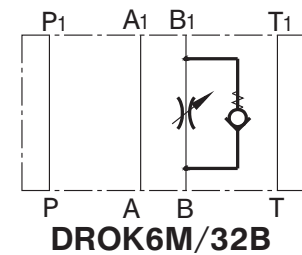
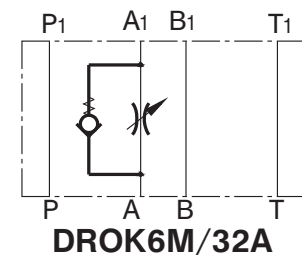
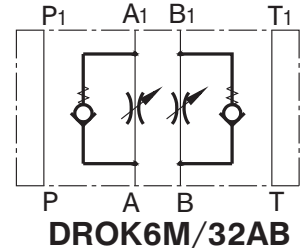
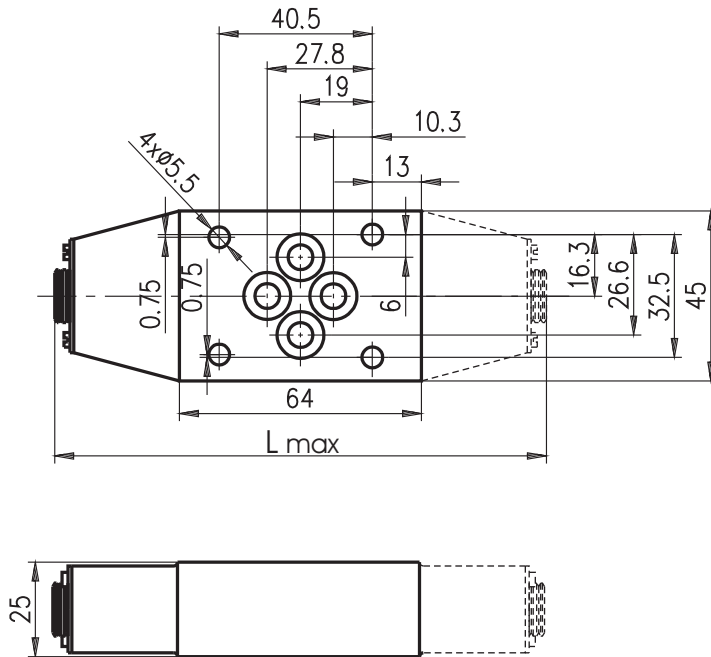


**Hidro
Pnevmo
Tehnika**

3, Vojeli St., Kazanlak, Bulgaria
Tel.: +359 431/ 62 228
Fax : +359 431/ 62 019
e-mail : info@hpt-bg.com
www.hpt-bg.com

NEEDLE VALVE WITH CHECK VALVE

DROK6M/32 ..



Type	Q _{nom}	P _{max.}	L _{max}
	L/min	bar	mm
DROK6M/32AB	20	320	140
DROK6M/32A			102
DROK6M/32B			102

All performances and calibration are carried out by using hydraulic oil with viscosity approx. 46 cSt at 50 °C
Temperature range: -20 °C...+80 °C
Filtration absolute: 25 µm

ORDERING CODE

DROK6M/32 AB

Type

Connect needle valve at port: **A,B,AB**