

HYDRAULIC MOTOR BLOCKS TYPE BD

ORDERING INFORMATION

Type **B D** /

Hydraulic motors MP, MR - **R**
 Hydraulic motors MS - **S**
 Hydraulic motors MM - **M**
 Hydraulic motors MT - **T**

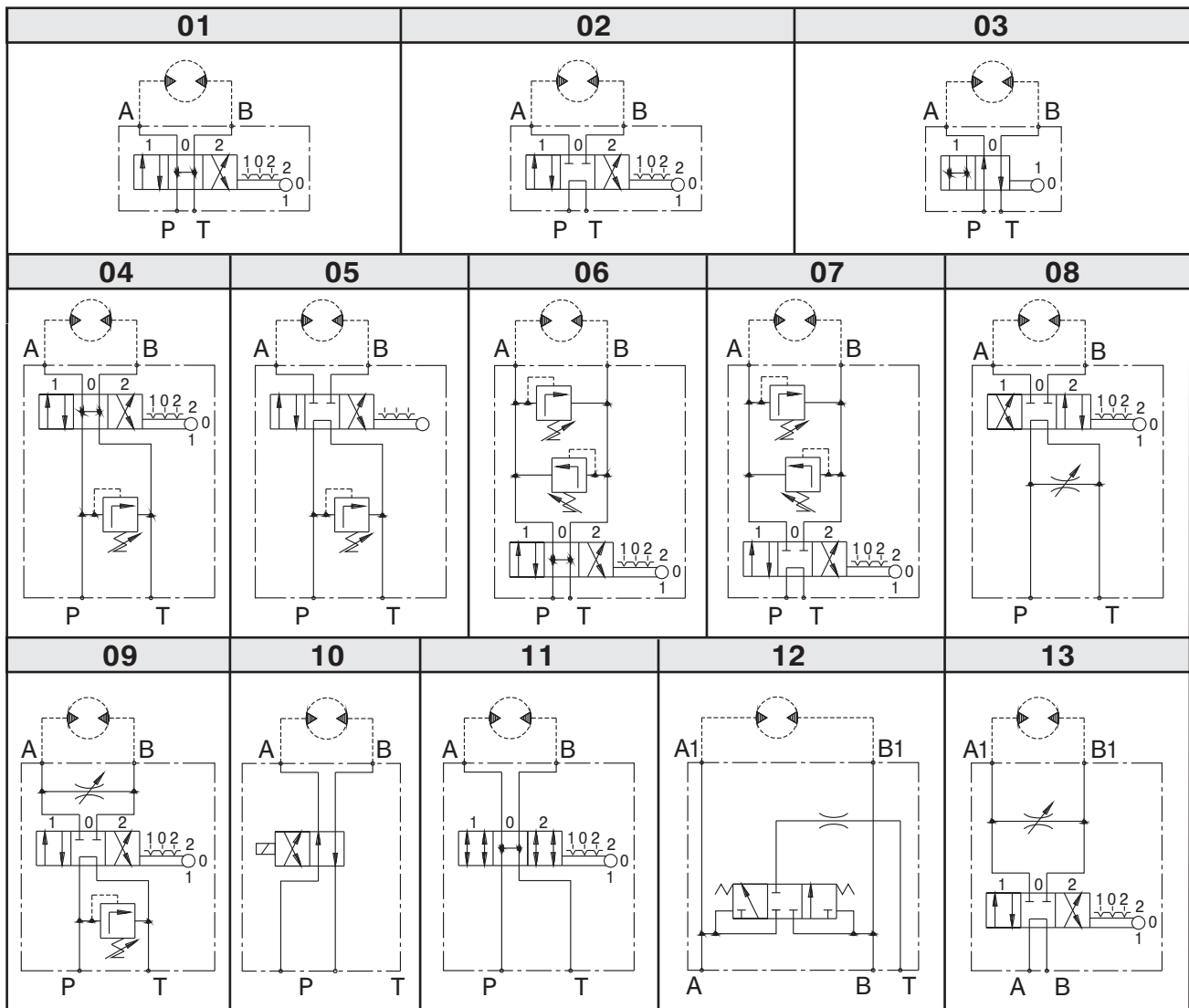
Hollow bolted-on connection G1/2 - **H**
 Screwed connection M8;M10 - **Omit**

Port threads G3/8" - **38**
 Port threads G1/2" - **12**

Adjustments code
-A
-B

Pressure range code
 100 bar - **10**
 250 bar - **25**

Code of hydraulic scheme



Block are installed directly on motor with bolts M8-8.8 for MP or MR motors and M10-8.8 DIN912 for MS or MT motors

Tightening torque: M8 - 20 N.m ; M10 - 45 N.m

Working fluid - Hydraulic oil . Filtration - degree of 25 mm . Temperature range from -20 to +80°C

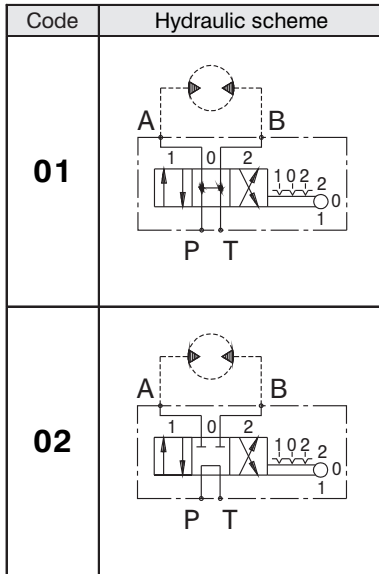
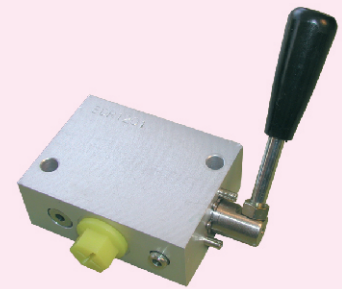


**Hidro
Pnevmo
Tehnika**

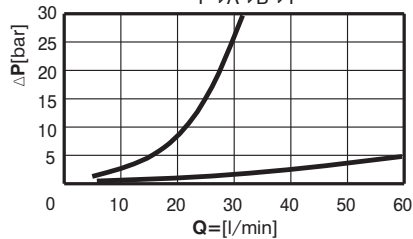
3, Vojeli St., Kazanlak, Bulgaria
Tel.: +359 431/ 62 228
Fax : +359 431/ 62 019
e-mail : info@hpt-bg.com
www.hpt-bg.com

HYDRAULIC MOTOR BLOCKS TYPE BD

BDR .. .

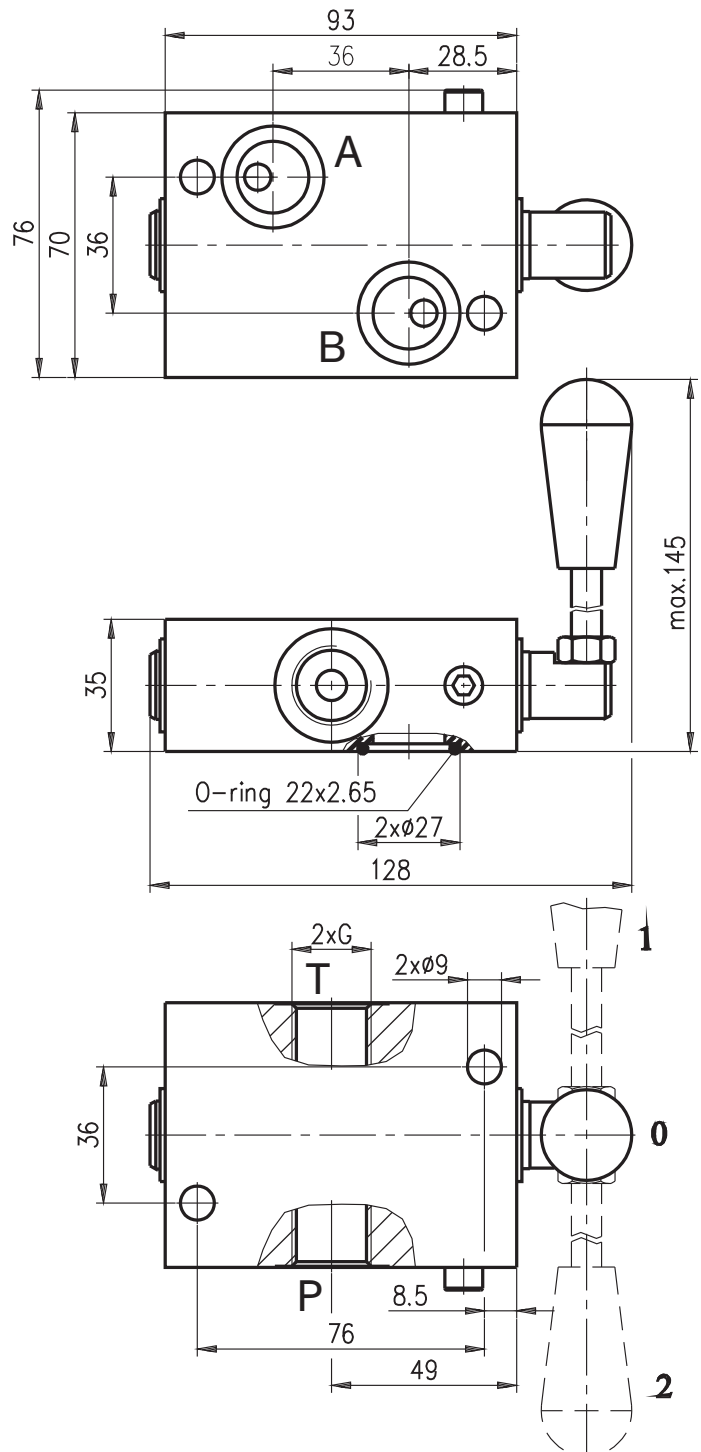


$\Delta P=f(Q)$
46 cst oil at 50°C
P→A→B→T



PORT THREADS CODE	
Port threads G3/8"	38
Port threads G1/2"	12

TECHNICAL DATA		
Nominal pressure	bar	210
Nominal flow rate for type 38	L/min	25
Nominal flow rate for type 12	L/min	50



ORDERING CODE

BD R 12 01



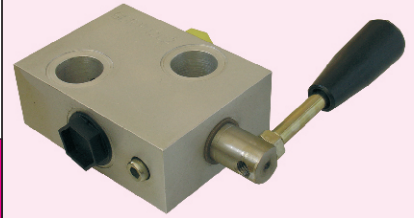


**Hidro
Pnevmo
Tehnika**

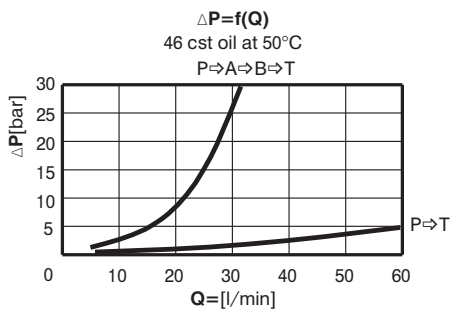
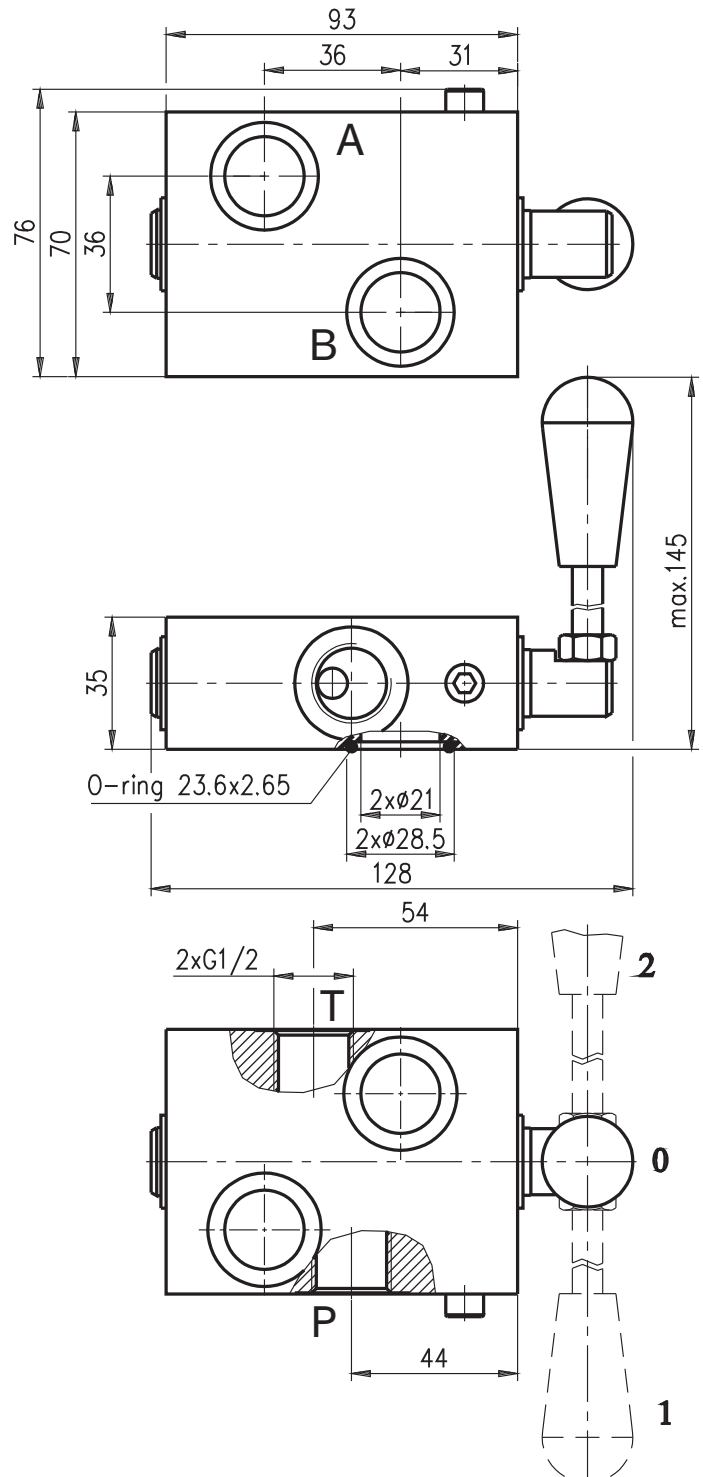
3, Vojeli St., Kazanlak, Bulgaria
Tel.: +359 431/ 62 228
Fax : +359 431/ 62 019
e-mail : info@hpt-bg.com
www.hpt-bg.com

HYDRAULIC MOTOR BLOCKS TYPE BD

BDRH 1202



Code	Hydraulic scheme
02	



TECHNICAL DATA		
Nominal pressure	bar	210
Nominal flow rate	L/min	50

ORDERING CODE

BD R H 12 02

Type	Hydraulic motor type R (MP or MR)	Connection with hollow bolts	Screw threads G1/2"	Code scheme 01,02
------	---	---------------------------------	-------------------------------	--------------------------

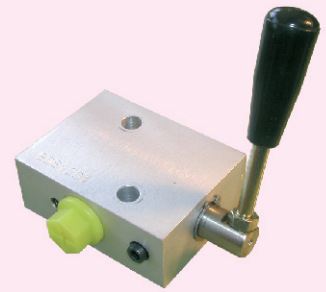


**Hidro
Pnevmo
Tehnika**

3, Vojeli St., Kazanlak, Bulgaria
Tel.: +359 431/ 62 228
Fax : +359 431/ 62 019
e-mail : info@hpt-bg.com
www.hpt-bg.com

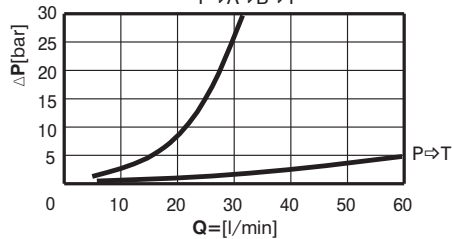
HYDRAULIC MOTOR BLOCKS TYPE BD

BDS .. .



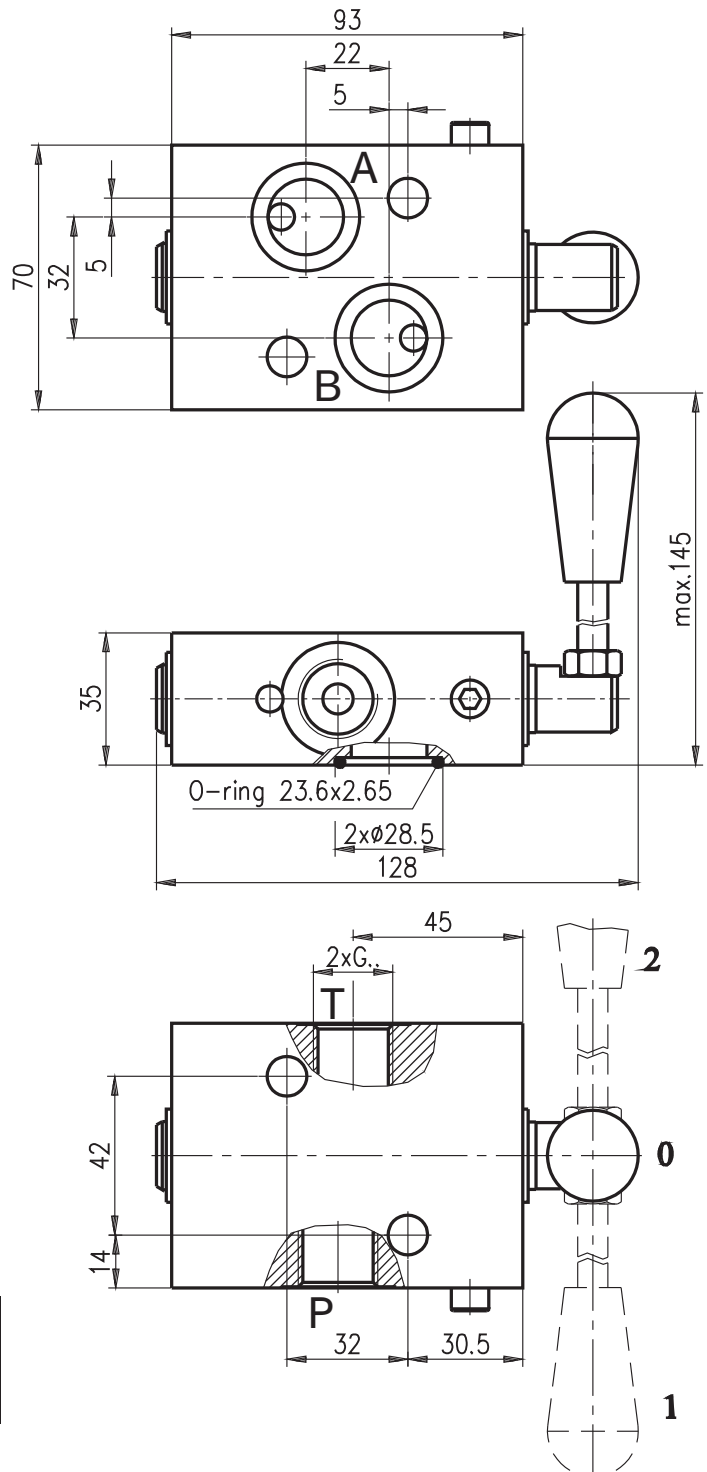
Code	Hydraulic scheme
01	
02	

$\Delta P=f(Q)$
46 cst oil at 50°C
P→A→B→T

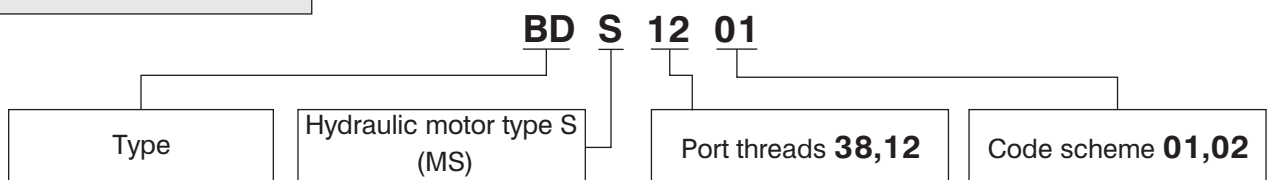


PORT THREADS CODE	
Port threads G3/8"	38
Port threads G1/2"	12

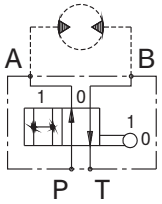
TECHNICAL DATA		
Nominal pressure	bar	210
Nominal flow rate for type 38	L/min	25
Nominal flow rate for type 12	L/min	50

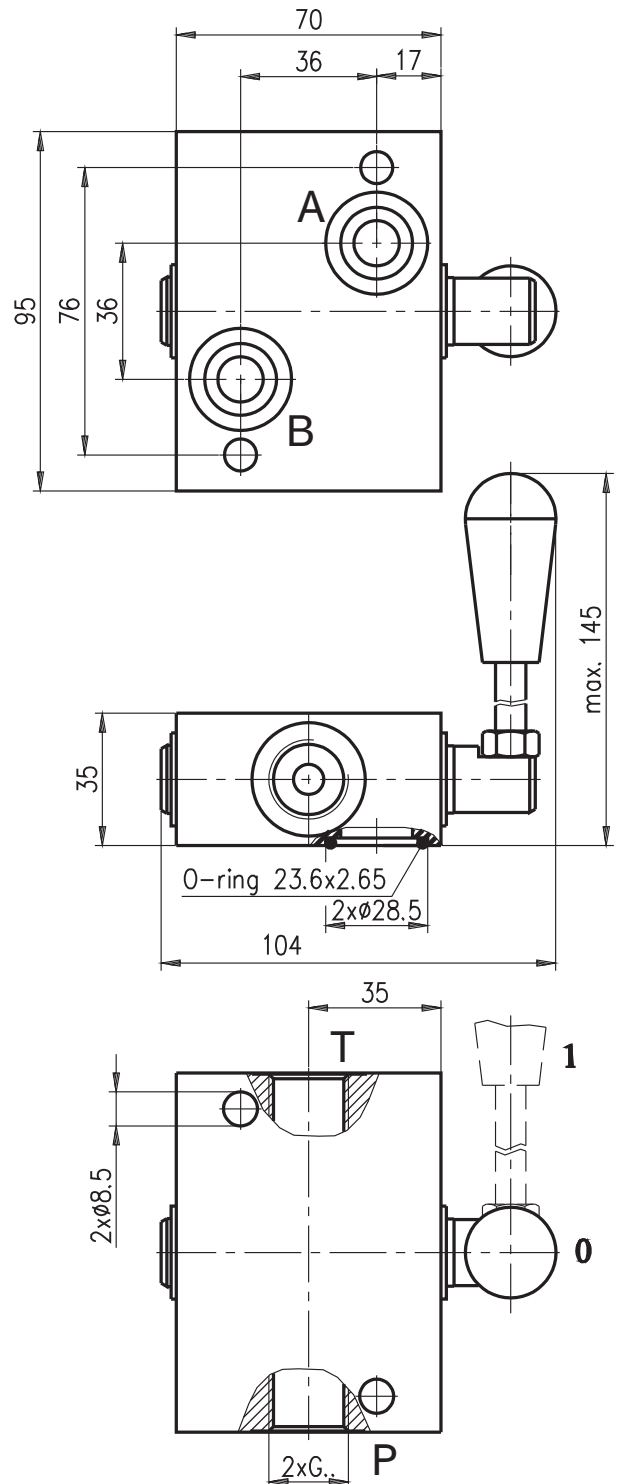


ORDERING CODE





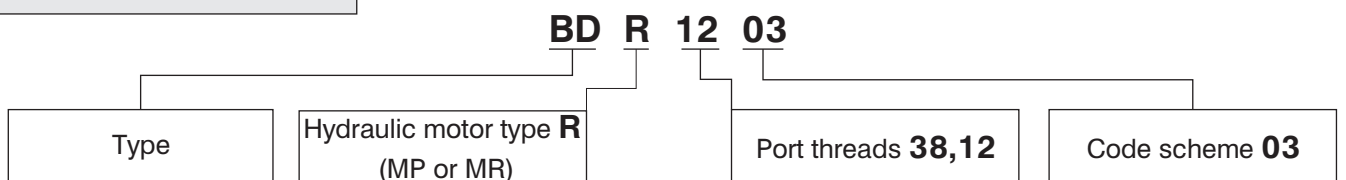
Code	Hydraulic scheme
03	



PORT THREADS CODE	
Port threads G3/8"	38
Port threads G1/2"	12

TECHNICAL DATA		
Nominal pressure	bar	210
Nominal flow rate for type 38	L/min	25
Nominal flow rate for type 12	L/min	50

ORDERING CODE





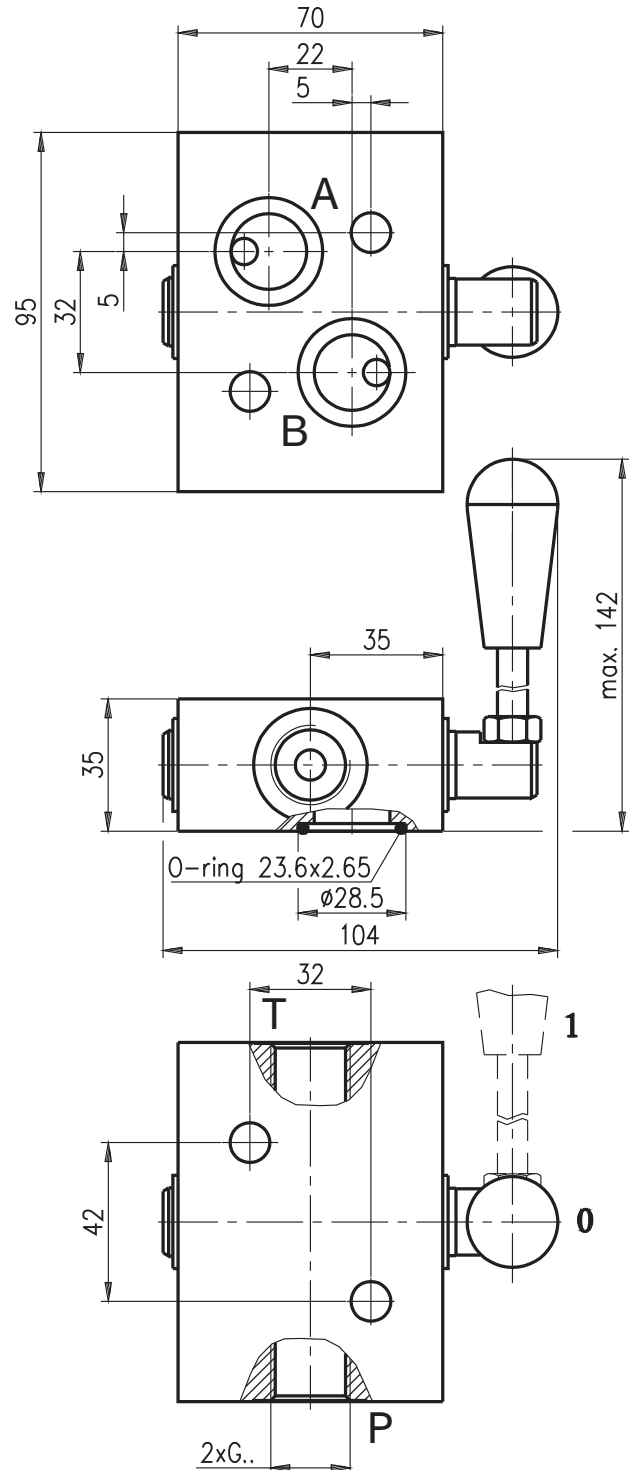
**Hidro
Pnevmo
Tehnika**

3, Vojeli St., Kazanlak, Bulgaria
 Tel.: +359 431/ 62 228
 Fax : +359 431/ 62 019
 e-mail : info@hpt-bg.com
 www.hpt-bg.com

HYDRAULIC MOTOR BLOCKS TYPE BD

BDS .. 03

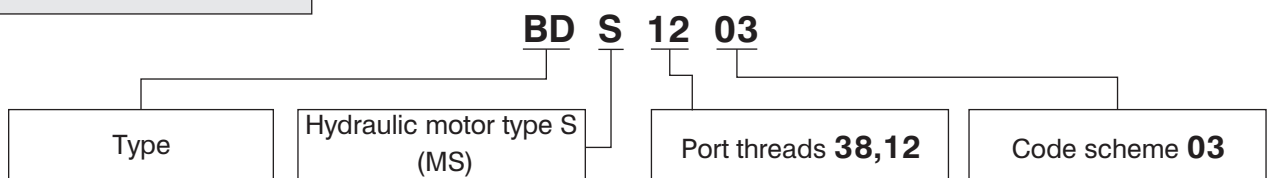
Code	Hydraulic scheme
03	



PORT THREADS CODE	
Port threads G3/8"	38
Port threads G1/2"	12

TECHNICAL DATA		
Nominal pressure	bar	210
Nominal flow rate for type 38	L/min	25
Nominal flow rate for type 12	L/min	50

ORDERING CODE



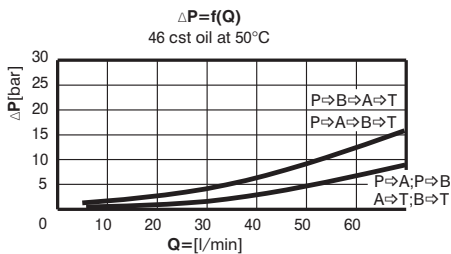
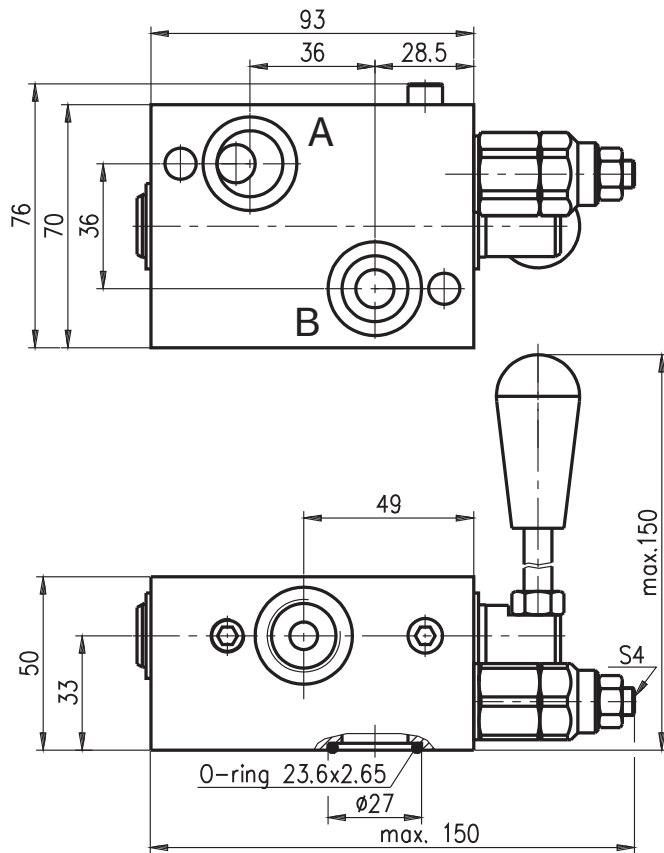
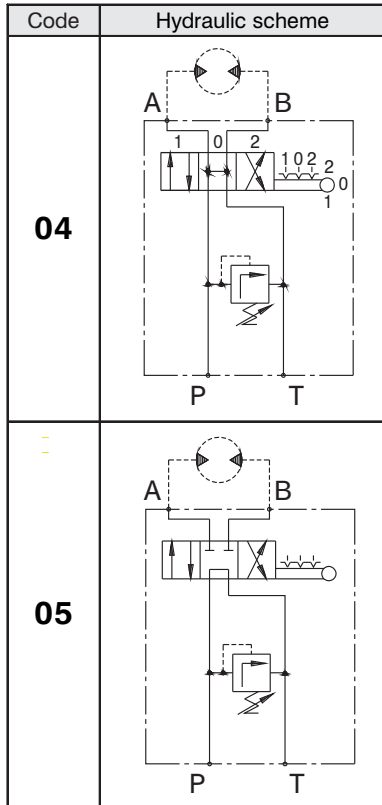


**Hidro
Pnevmo
Tehnika**

3, Vojeli St., Kazanlak, Bulgaria
Tel.: +359 431/ 62 228
Fax : +359 431/ 62 019
e-mail : info@hpt-bg.com
www.hpt-bg.com

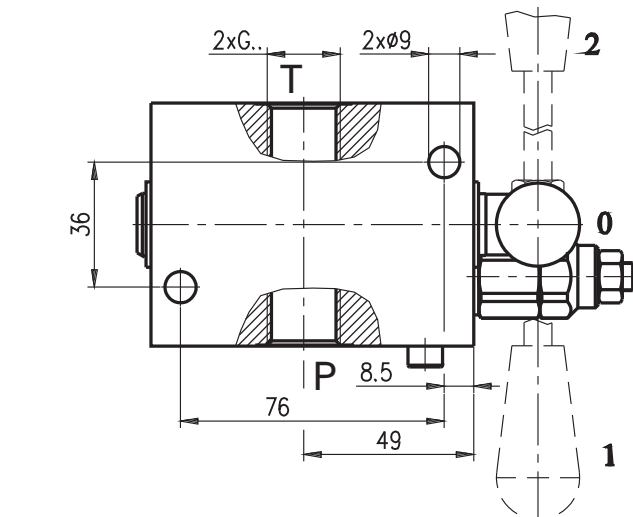
HYDRAULIC MOTOR BLOCKS TYPE BD

BDR / ..



TECHNICAL DATA		
Nominal flow rate for type 38	L/min	25
Nominal flow rate for type 12	L/min	50

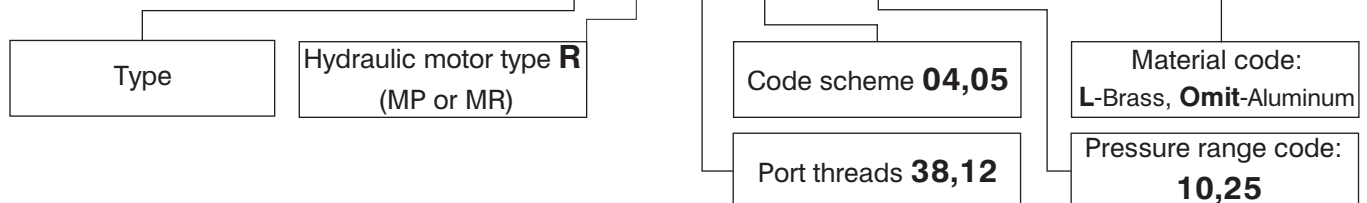
Pressure range			
Code	Standard setting bar (Q=5l/min)	Adj. pressure range bar	Colour
10	80	10...100	White
25	180	30...250	Yellow



PORT THREADS CODE	
Port threads G3/8"	38
Port threads G1/2"	12

ORDERING CODE

BD R 12 04 / 10 L



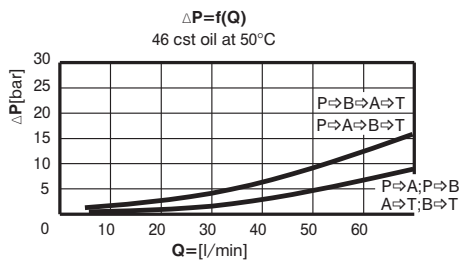
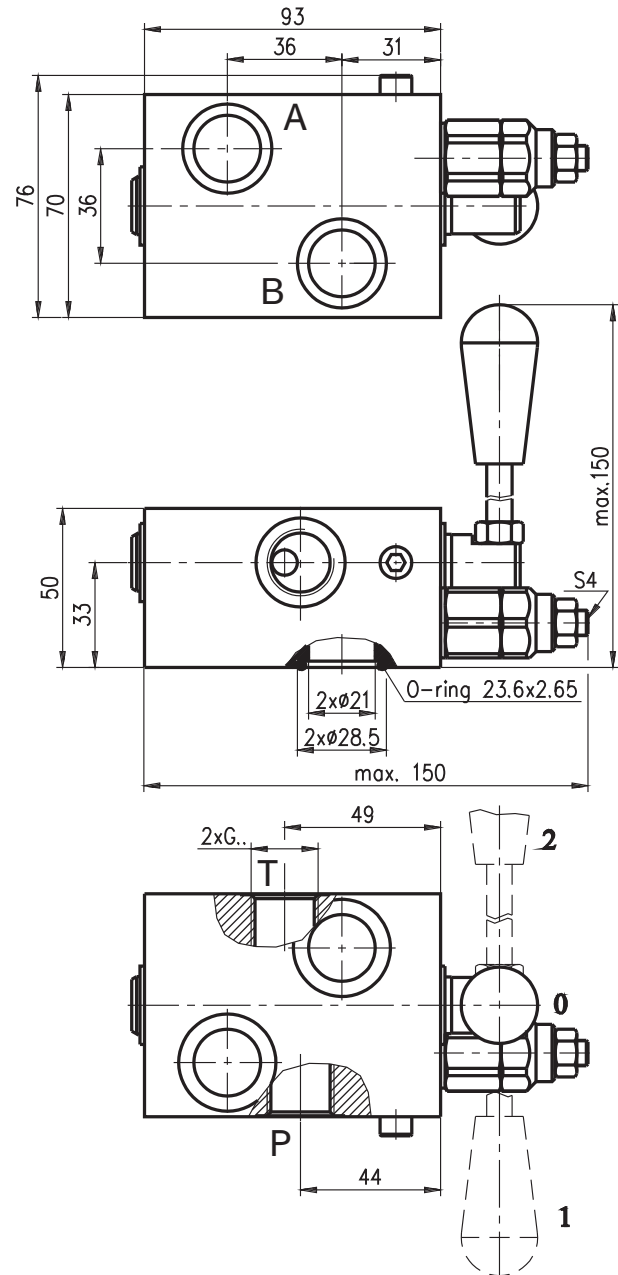
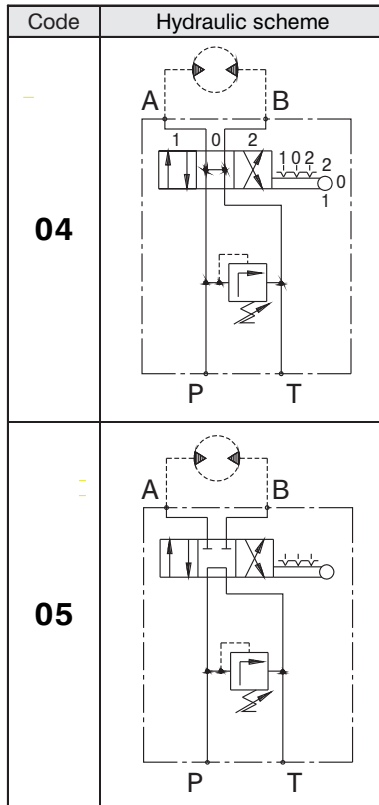
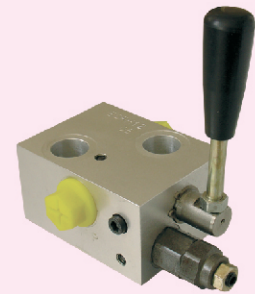


**Hidro
Pnevmo
Tehnika**

3, Vojeli St., Kazanlak, Bulgaria
 Tel.: +359 431/ 62 228
 Fax : +359 431/ 62 019
 e-mail : info@hpt-bg.com
 www.hpt-bg.com

HYDRAULIC MOTOR BLOCKS TYPE BD

BDRH / ..



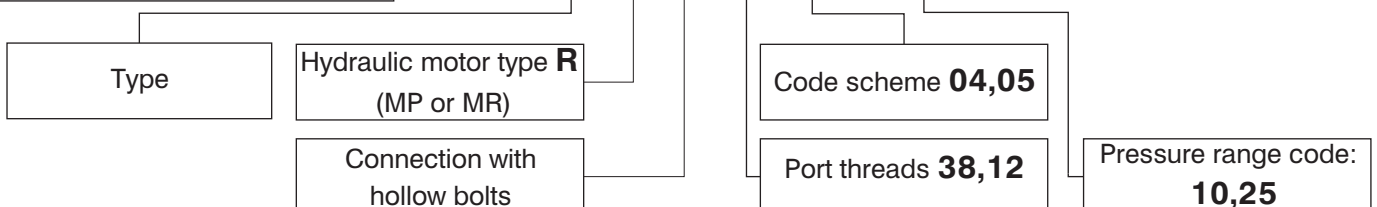
TECHNICAL DATA		
Nominal flow rate for type 38	L/min	25
Nominal flow rate for type 12	L/min	50

Pressure range			
Code	Standard setting bar (Q=5l/min)	Adj. pressure range bar	Colour
10	80	10...100	White
25	180	30...250	Yellow

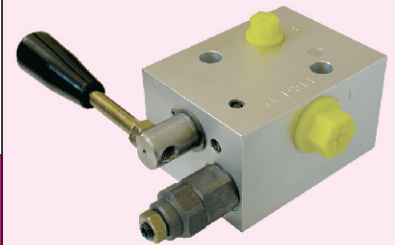
PORT THREADS CODE	
Port threads G3/8"	38
Port threads G1/2"	12

ORDERING CODE

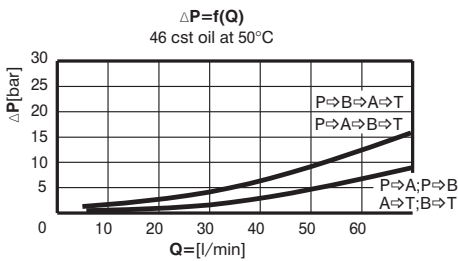
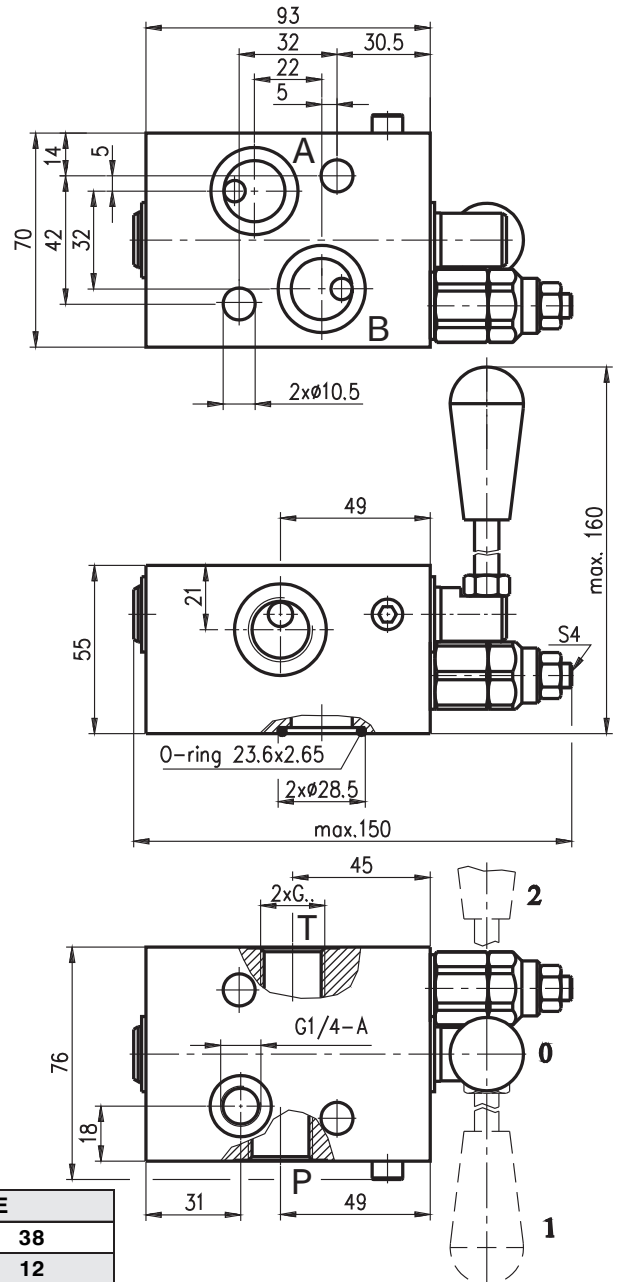
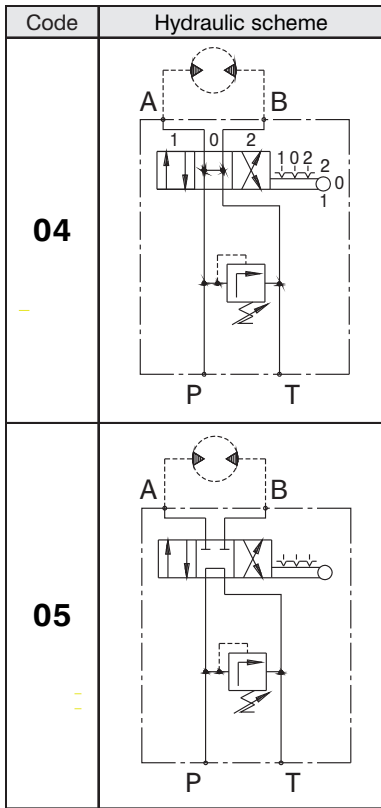
BD R H 12 05 / 10




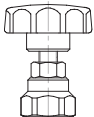
HYDRAULIC MOTOR BLOCKS TYPE BD



BDS /



TECHNICAL DATA		
Nominal flow rate for type 38	L/min	25
Nominal flow rate for type 12	L/min	50

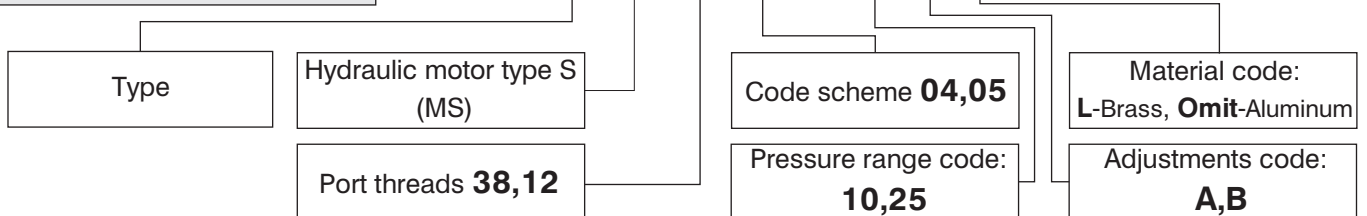
Code	Adjustments
A	Leakproof hex. socket screw 
B	Handknob and locknut 

PORT THREADS CODE	
Port threads G3/8"	38
Port threads G1/2"	12

Pressure range			
Code	Standard setting bar (Q=5l/min)	Adj. pressure range bar	Colour
10	80	10...100	White
25	180	30...250	Yellow

ORDERING CODE

BD S 12 04 / 10 A L



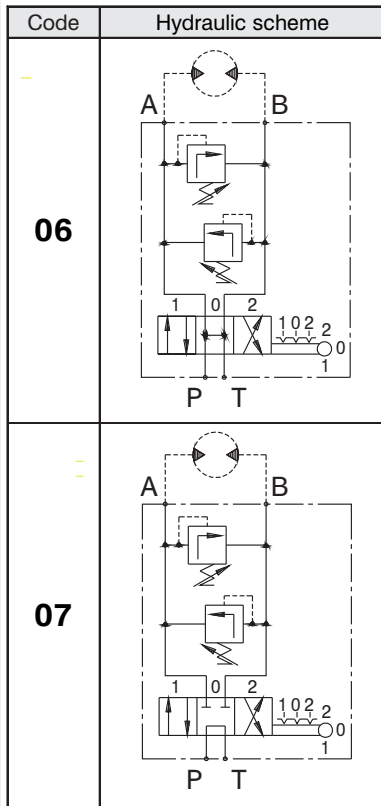
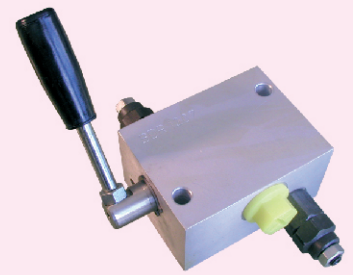


**Hidro
Pnevmo
Tehnika**

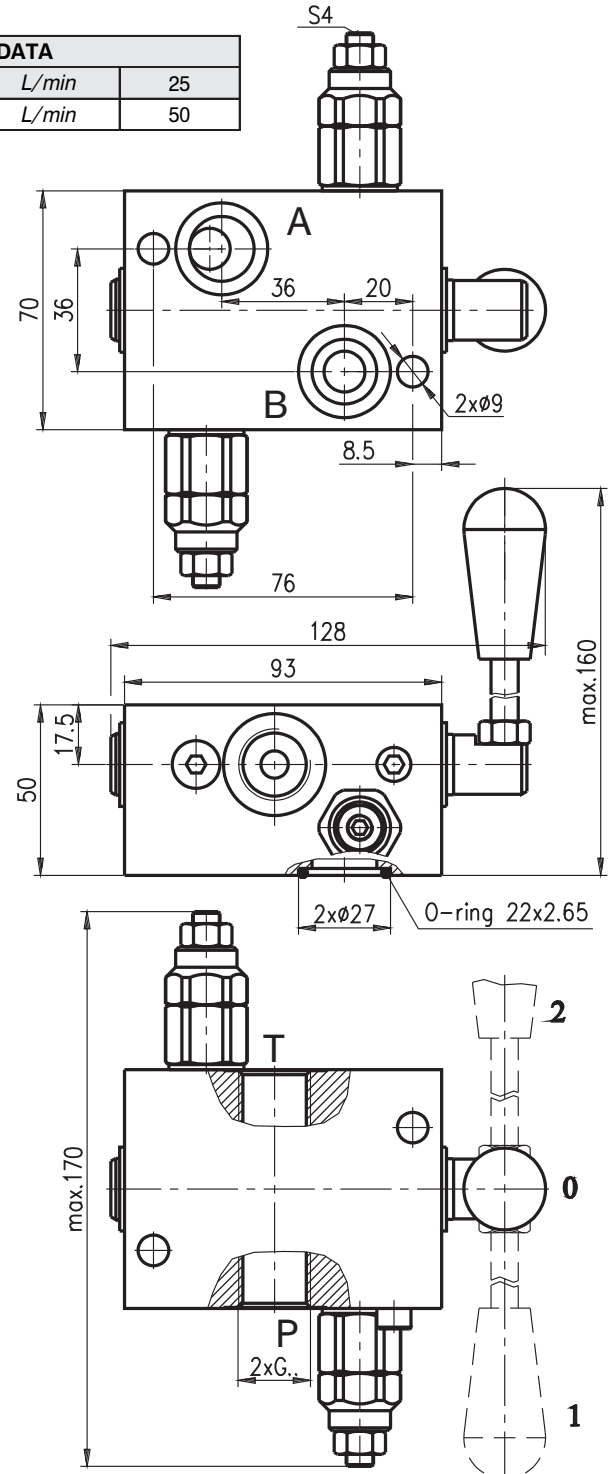
3, Vojeli St., Kazanlak, Bulgaria
Tel.: +359 431/ 62 228
Fax : +359 431/ 62 019
e-mail : info@hpt-bg.com
www.hpt-bg.com

HYDRAULIC MOTOR BLOCKS TYPE BD

BDR /



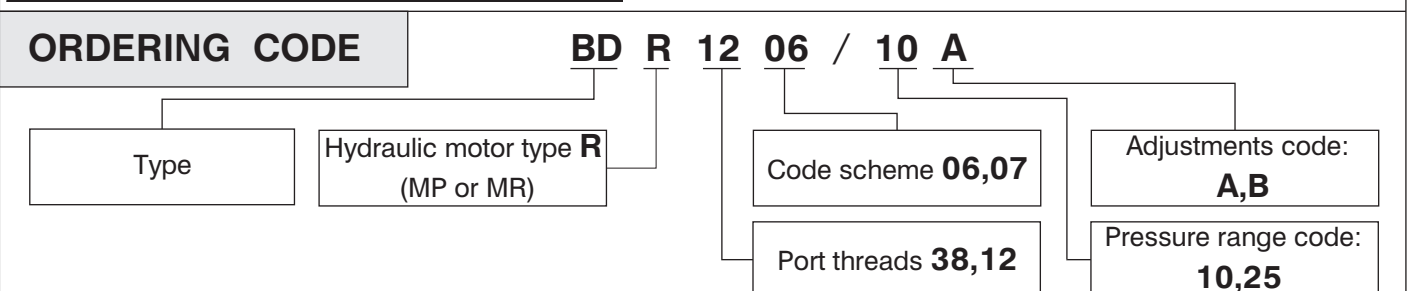
TECHNICAL DATA		
Nominal flow rate for type 38	L/min	25
Nominal flow rate for type 12	L/min	50



Code	Adjustments
A	Leakproof hex. socket screw
B	Handknob and locknut

PORT THREADS CODE	
Port threads G3/8"	38
Port threads G1/2"	12

Pressure range			
Code	Standard setting bar (Q=5l/min)	Adj. pressure range bar	Colour
10	80	10...100	White
25	180	30...250	Yellow



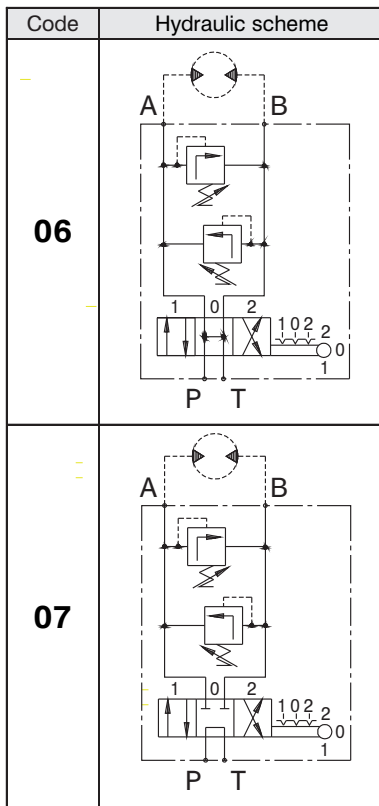


**Hidro
Pnevmo
Tehnika**

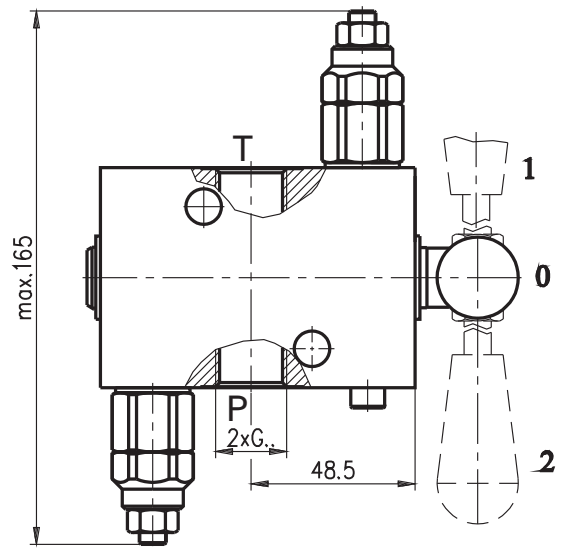
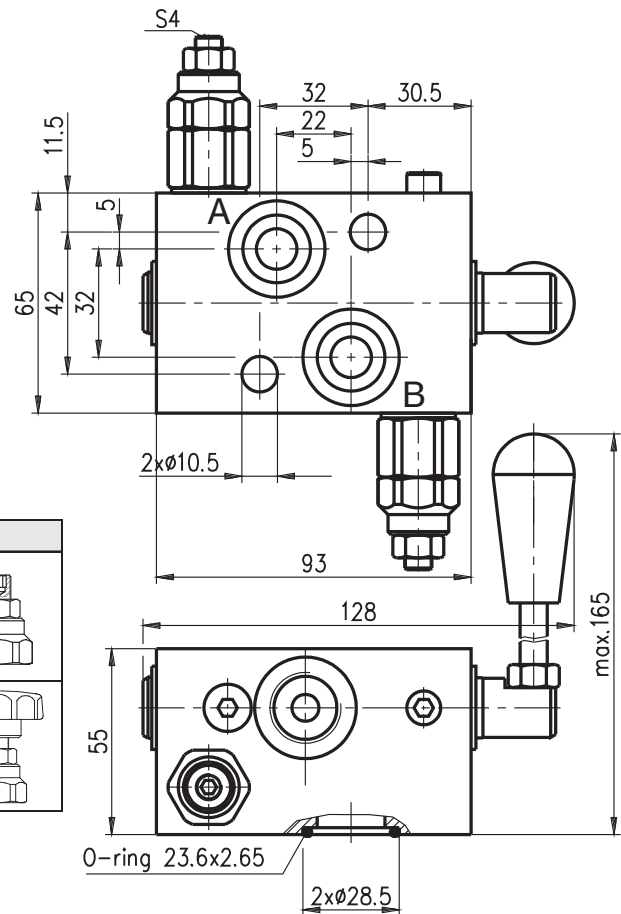
3, Vojeli St., Kazanlak, Bulgaria
Tel.: +359 431/ 62 228
Fax : +359 431/ 62 019
e-mail : info@hpt-bg.com
www.hpt-bg.com

HYDRAULIC MOTOR BLOCKS TYPE BD

BDS /



Code	Adjustments
A	Leakproof hex. socket screw
B	Handknob and locknut



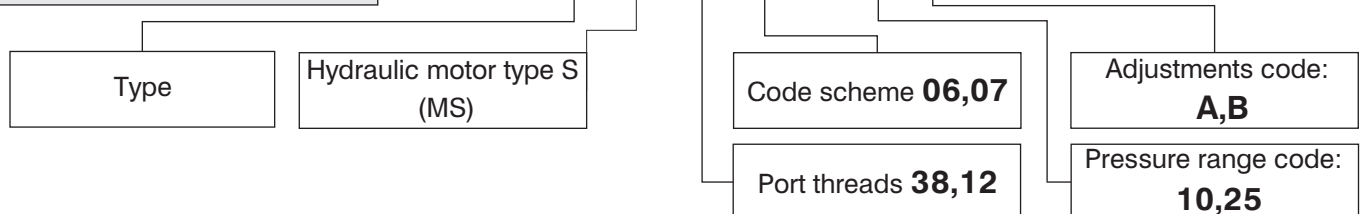
TECHNICAL DATA		
Nominal flow rate for type 38	L/min	25
Nominal flow rate for type 12	L/min	50

PORT THREADS CODE	
Port threads G3/8"	38
Port threads G1/2"	12

Pressure range			
Code	Standard setting bar (Q=5l/min)	Adj. pressure range bar	Colour
10	80	10...100	White
25	180	30...250	Yellow

ORDERING CODE

BD S 12 06 / 10 A



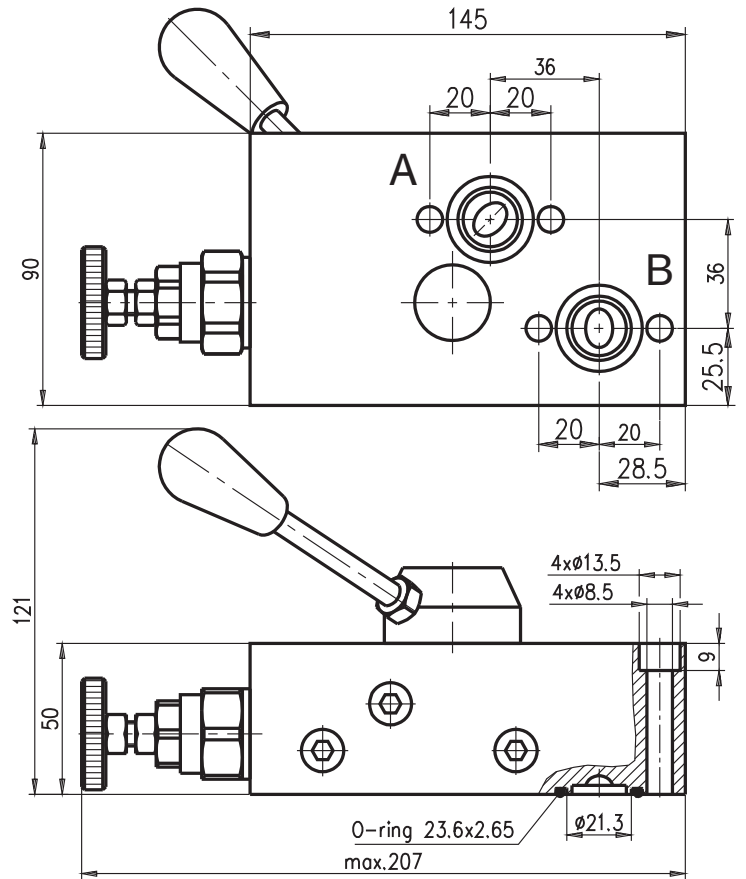
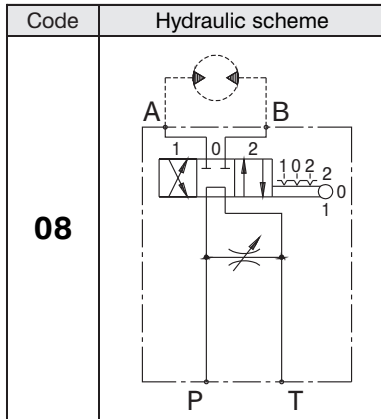
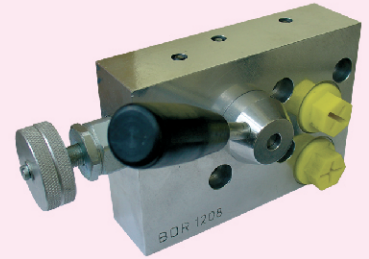


**Hidro
Pnevmo
Tehnika**

3, Vojeli St., Kazanlak, Bulgaria
Tel.: +359 431/ 62 228
Fax : +359 431/ 62 019
e-mail : info@hpt-bg.com
www.hpt-bg.com

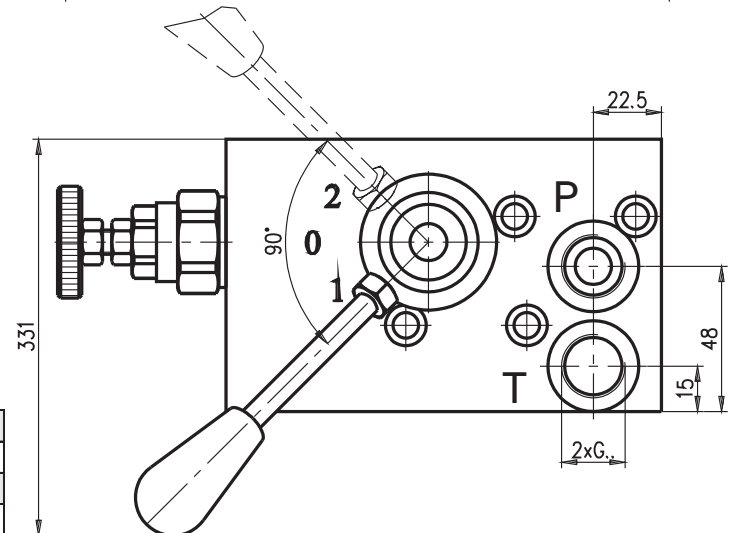
HYDRAULIC MOTOR BLOCKS TYPE BD

BDR .. 08



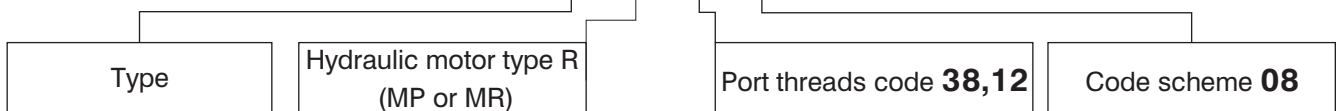
PORT THREADS CODE	
Port threads G3/8"	38
Port threads G1/2"	12

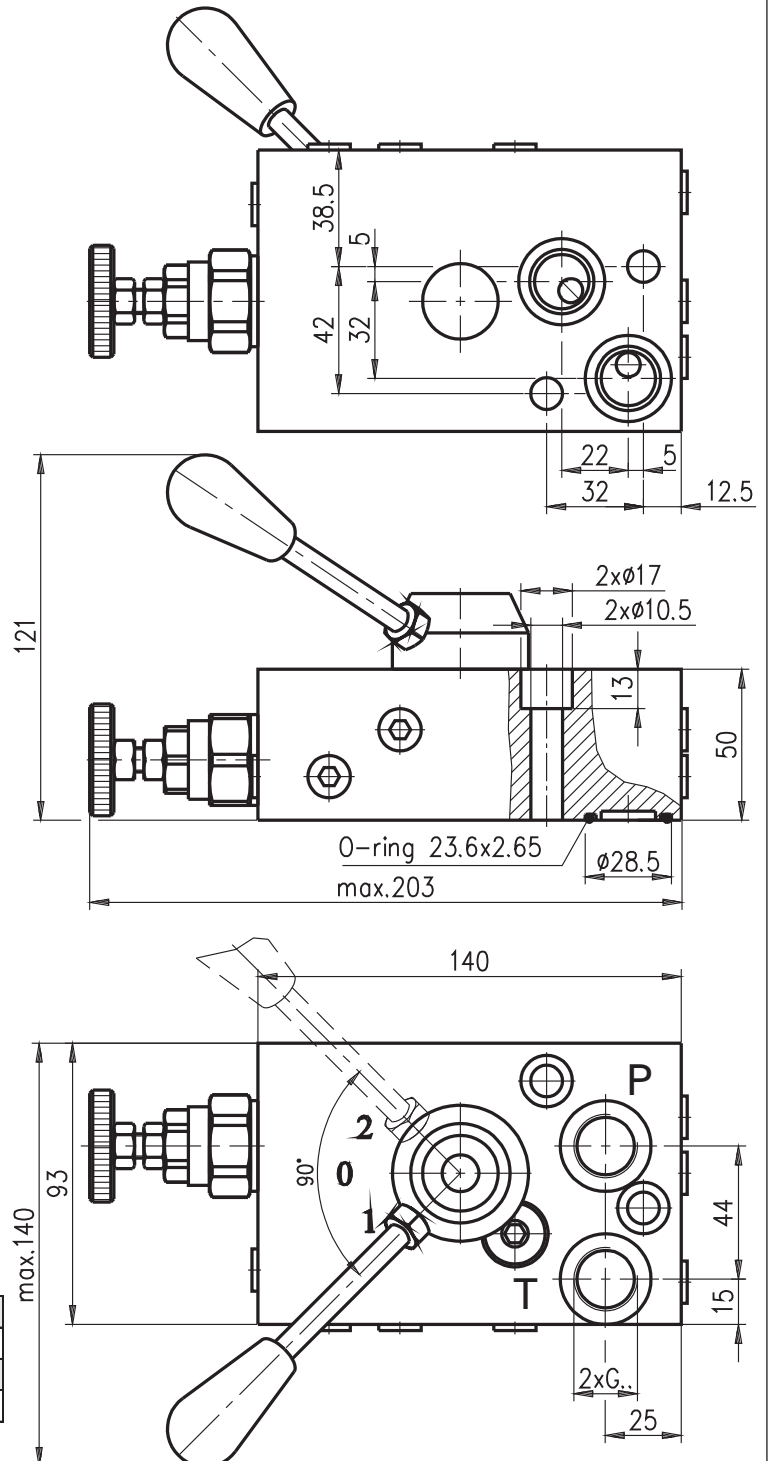
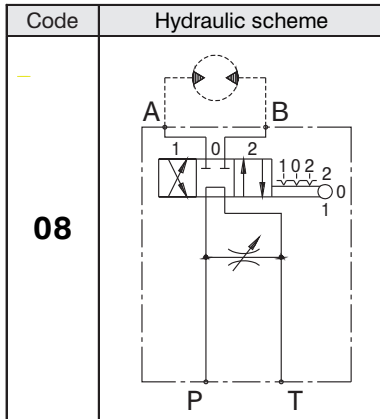
TECHNICAL DATA		
Nominal pressure	bar	210
Nominal flow rate for type 38	L/min	40
Nominal flow rate for type 12	L/min	70



ORDERING CODE

BD R 12 08





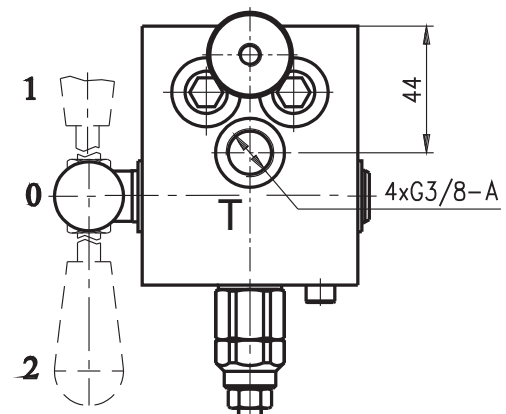
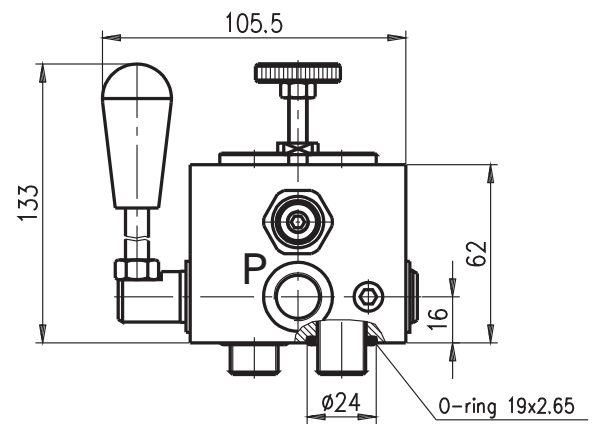
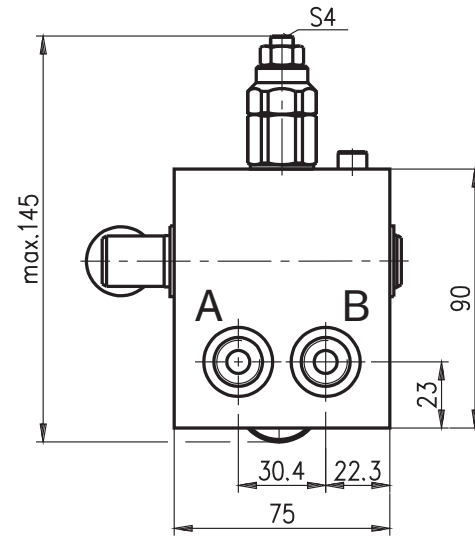
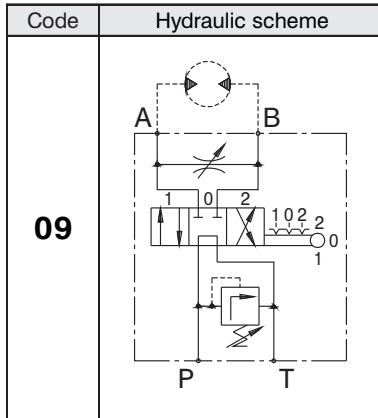
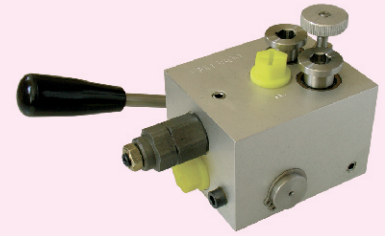
PORT THREADS CODE	
Port threads G3/8"	38
Port threads G1/2"	12

TECHNICAL DATA		
Nominal pressure	bar	210
Nominal flow rate for type 38	L/min	40
Nominal flow rate for type 12	L/min	70

ORDERING CODE

BD S 12 08





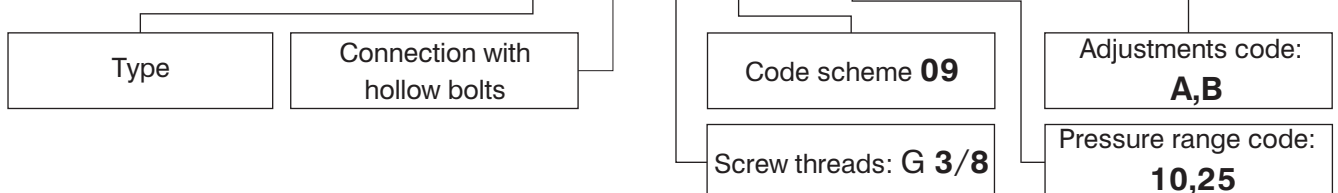
TECHNICAL DATA		
Nominal flow rate	L/min	30

Code	Adjustments
A	Leakproof hex. socket screw
B	Handknob and locknut

Pressure range			
Code	Standard setting bar (Q=5l/min)	Adj. pressure range bar	Colour
10	80	10...100	White
25	180	30...250	Yellow

ORDERING CODE

BDM H 38 09 / 10 A



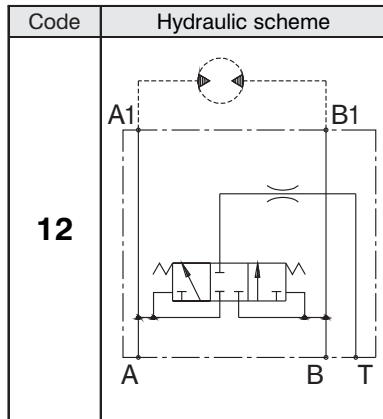


**Hidro
Pnevmo
Tehnika**

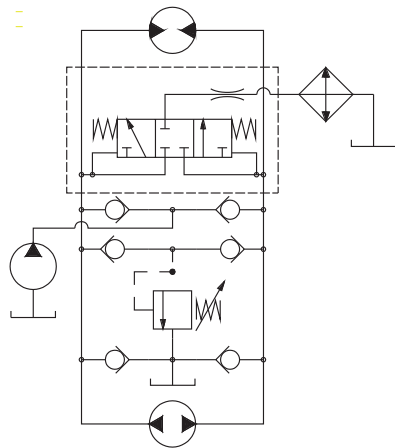
3, Vojeli St., Kazanlak, Bulgaria
Tel.: +359 431/ 62 228
Fax : +359 431/ 62 019
e-mail : info@hpt-bg.com
www.hpt-bg.com

HYDRAULIC MOTOR BLOCKS TYPE BD

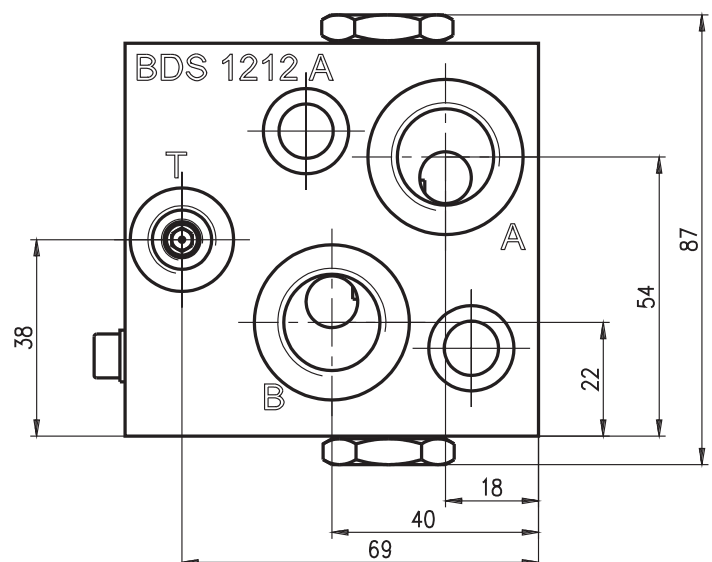
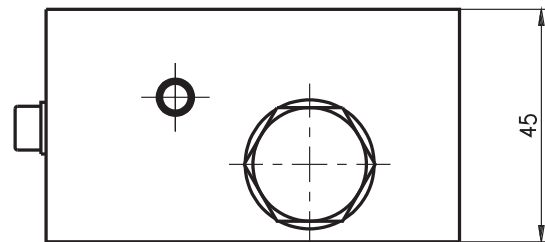
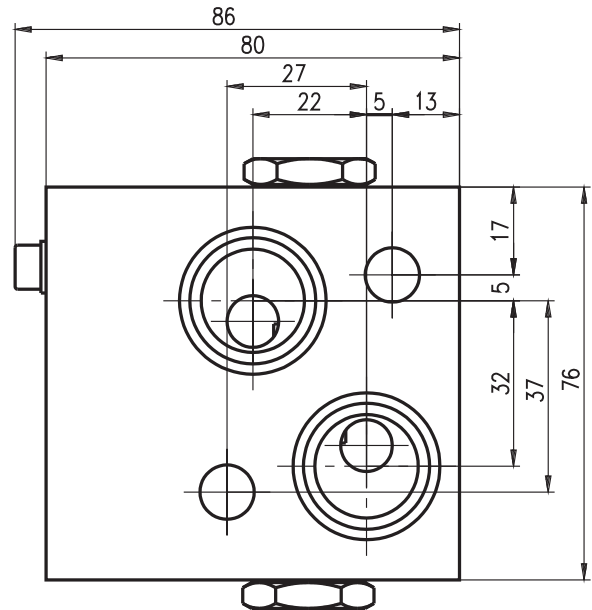
BDS 1212A



The manifold block is used in closed hydraulic systems to separate flow for cooling. It is connected according to the enclosed hydraulic design.

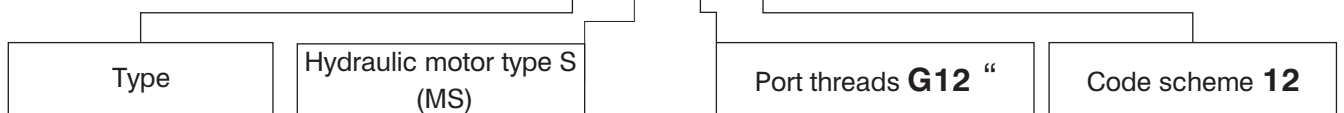


TECHNICAL DATA		
Nominal pressure	bar	210
Nominal flow rate	L/min	40



ORDERING CODE

BD S 12 12 A



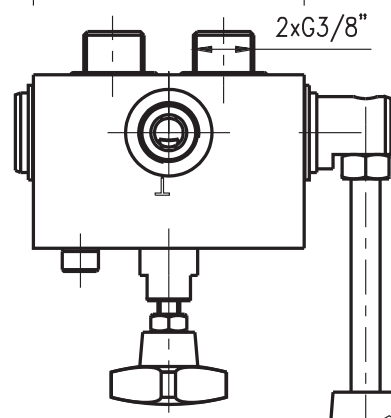
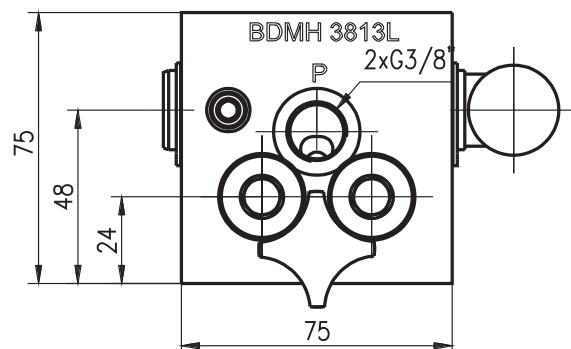
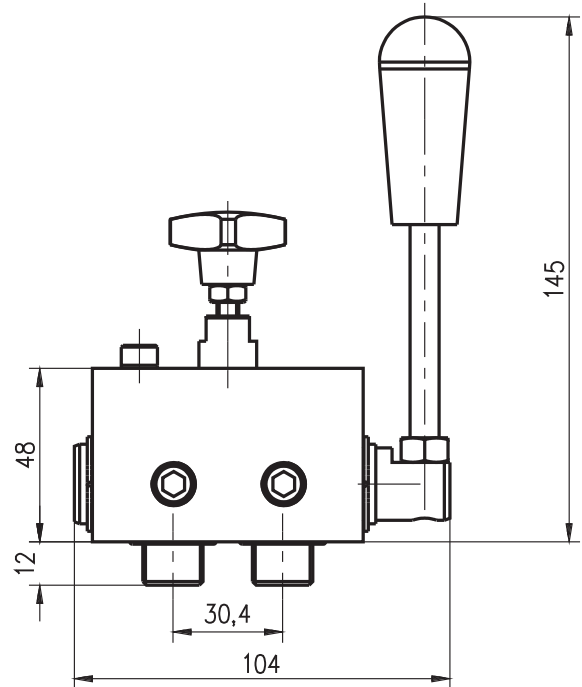
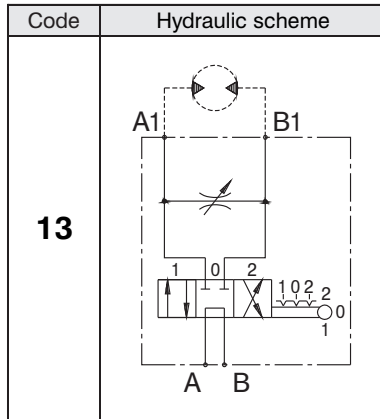
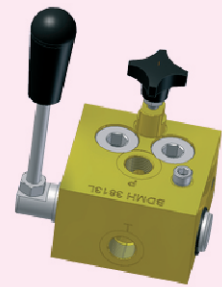


**Hidro
Pnevmo
Tehnika**

3, Vojeli St., Kazanlak, Bulgaria
Tel.: +359 431/ 62 228
Fax : +359 431/ 62 019
e-mail : info@hpt-bg.com
www.hpt-bg.com

HYDRAULIC MOTOR BLOCKS TYPE BD

BDMH 38 13 L



TECHNICAL DATA		
Nominal pressure	bar	210
Nominal flow rate	L/min	40

ORDERING CODE

BDM H 38 13 L

